

WE MAKE ID EASY

TRANSPONDER | READER | APPLICATION
www.aegid.de

ACCESS & SECURITY



ANIMAL IDENTIFICATION



INDUSTRY & LOGISTICS



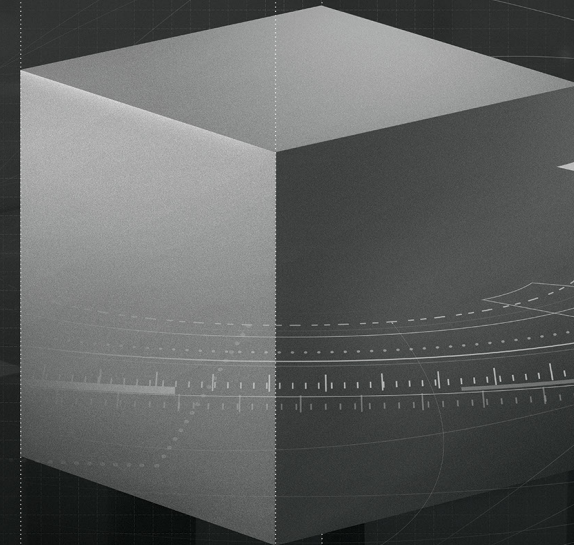
KEG & CONTAINER



SERVICE & INVENTORY



INDIVIDUAL SOLUTIONS



WE MAKE ID EASY

Our team lives and breathes RFID.

Together we develop intelligent identification systems – since the inception of RFID as a technology. We work in all RFID frequencies and applications – all the while concentrating on optimally solving specific tasks. Our products work seamlessly together to enable easy to use, individual solutions.

We do care for your challenge – through one on one consulting and straightforward processes – to make it as easy as possible for you.



SIMPLY MAKING EVERYTHING POSSIBLE

What distinguishes AEG ID is our knowledge that has grown over decades and our unique vertical range of manufacture. Our employees have mastered all production processes – our know-how covers technologies ranging from chips and transponders to readers and antennas. This comprehensive approach and state-of-the-art manufacturing technologies enable us to develop products and solutions that we can really call innovative with a clear conscience. We have a production capacity with which we can handle product quantities ranging from extremely small to large international orders. We are active worldwide with a network of regional sales partners. AEG ID has employees at its Ulm site in Germany and at its Vrchlabi production site in the Czech Republic.

Ulm/Germany

Vrchlabi/Czech Republic

WE MAKE ID EASY





START OF PRODUCTION

1989
(AEG AG)



INAUGURATION OF AEG ID

1996



HEADQUARTERS

ULM
Germany



PRODUCTION LOCATIONS

ULM
Germany
VRCHLABI
Czech Republic



CERTIFICATION

DIN EN
ISO 9001
since 1993



SUSTAINABILITY



AEG ID produces transponders and readers for LF, HF and UHF frequencies. The transponders, whose housings are optimized for every application, meet all requirements such as compact size, easy mounting, long reading distances, insensitivity to moisture, high temperatures and use in harsh environments. In addition to high-quality standard components, tailor-made system solutions are also our trademark.

TRANSPONDERS



READERS



ANTENNAS



INDIVIDUAL SOLUTIONS



As a leading full-range supplier, AEG ID develops, produces and sells transponders as well as readers that are ideally adapted to each application. Quickly and easily applicable standard solutions and tailormade system solutions are available in the following areas:

ACCESS & SECURITY



ANIMAL IDENTIFICATION



INDUSTRY & LOGISTICS



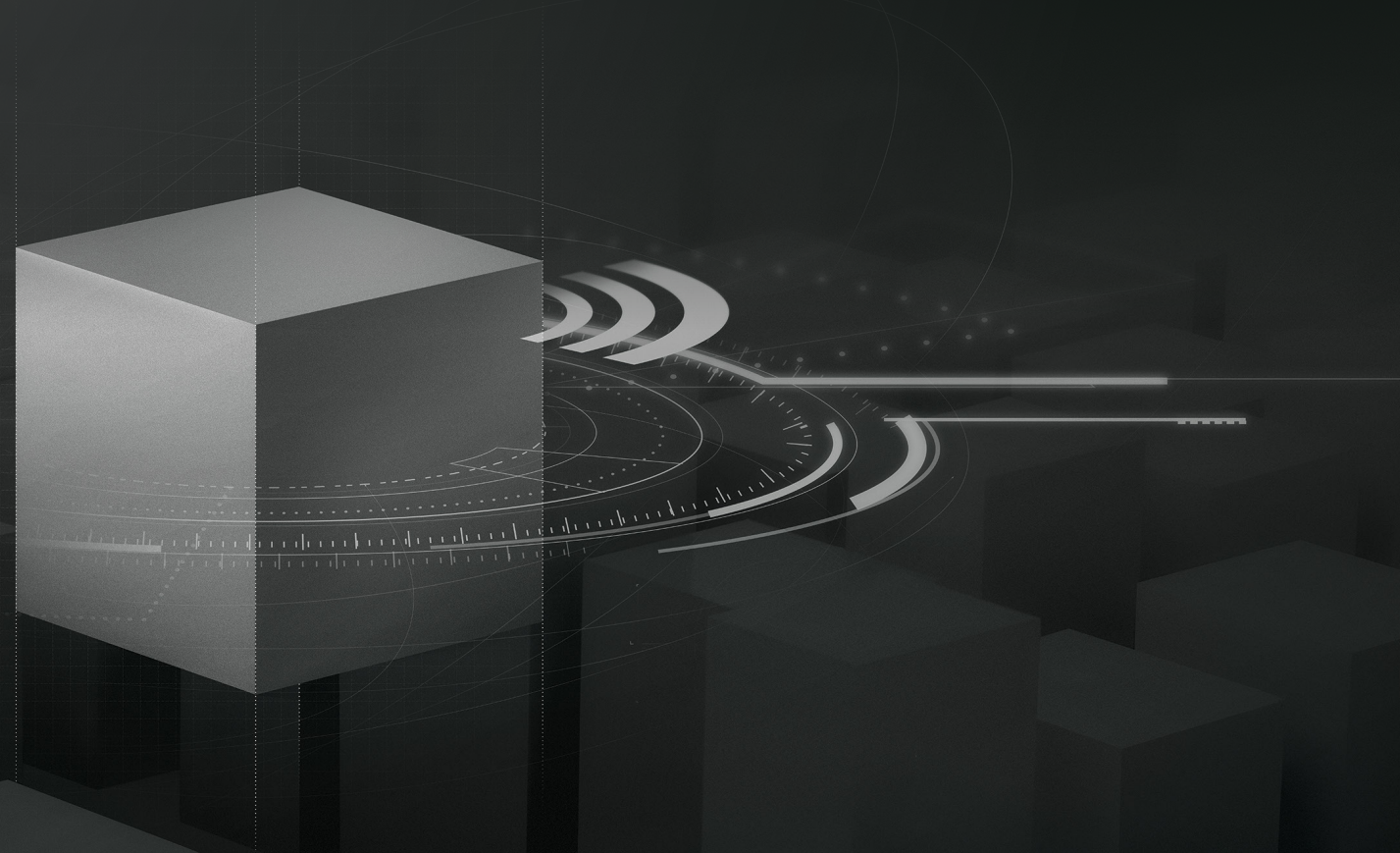
KEG & CONTAINER



SERVICE & INVENTORY



INDIVIDUAL SOLUTIONS

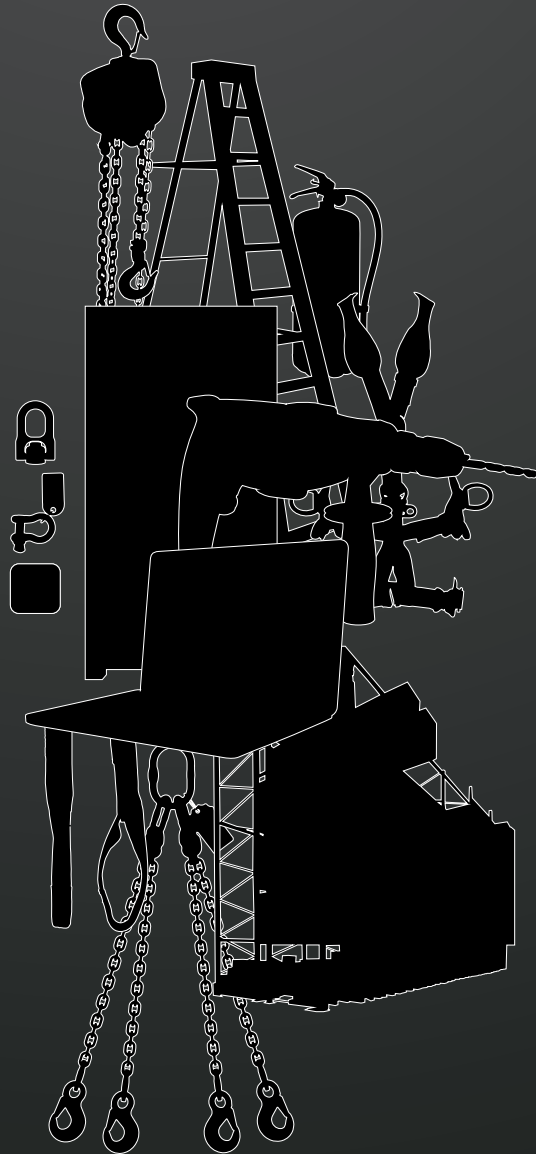




SERVICE & INVENTORY

The unambiguous identification and assignment of electrical and mechanical equipment to the appropriate test protocol often causes difficulties. Serial numbers are usually long, difficult to read or no longer available. Numbers or barcode labels affixed subsequently become just as difficult to read, get bleached, rubbed off, soiled or lost over time.

In cooperation with well-known test and measurement companies, manufacturers and software providers, we have developed products and solutions for clear and permanent identification that are easy to integrate and that cover all areas.



In such cases, the post-processing of the data then required by law and the effort needed to ensure that test results are correctly allocated to the relevant test units account for up to 50% of total testing time.

AEG Identifikationssysteme GmbH has addressed this problem and, working together with renowned measuring and testing companies and manufacturers of operating equipment, test equipment and personal protective equipment as well as software providers, has developed various widely applicable solutions for the unambiguous and permanent identification of test units.

- FAST INSTALLATION AND DATA ACQUISITION
- FAST ASSIGNMENT TO AN EXISTING DATABASE
- READERS WORK INDEPENDENTLY OF SOFTWARE
- EASY INTEGRATION OF THE UID INTO VARIOUS SOFTWARE SYSTEMS (E.G. "ELEKTROMANAGER" FROM MEBEDO)
- SPECIAL FUNCTIONS, E.G. FOR "ELEKTROMANAGER" (F12 FUNCTION)
- COMPATIBLE WITH THE MOST COMMON VDE TEST EQUIPMENT (USB OR RS232 INTERFACE)
- CAN BE USED IN MANY FIELDS
- TRANSPONDERS ARE AVAILABLE IN MANY ROBUST DESIGNS
- THE READERS ARE EASY TO USE AND CAN BE OPERATED IMMEDIATELY WITHOUT ANY INSTALLATION
- TRANSPONDERS ARE VERY SMALL AND CAN BE INSTALLED IN THE OPERATING EQUIPMENT (E. G. CONSTRUCTION SITE EQUIPMENT)
- PERMANENT LABELLING
- NO DOUBLE ASSIGNMENT OF NUMBERS
- READ/WRITE VARIANTS





– LABELLING FOR COMPLIANCE WITH LEGAL TEST REQUIREMENTS FOR:

- + Electrical equipment and machinery
- + Sockets
- + Personal protective equipment
- + Ladders and steps
- + Slings and lashing equipment
- + Shelving and storage systems
- + Fire extinguishers
- + Emergency exit & fire safety doors

– OBJECT AND EQUIPMENT ASSIGNMENT / IDENTIFICATION

– INVENTORY / STOCK CHECK

– WEAK POINT ANALYSIS / BATCH MONITORING



Glass Transponder
Disc Transponder
ID 200
Cable Clip
Cable Flex
Metal Flex
PET Transponder
PVC Transponder



ARE H5
ARE H9 LF
ARE H9 HF
ARE H15
ARE DT1 LF
ARE DT1 HF

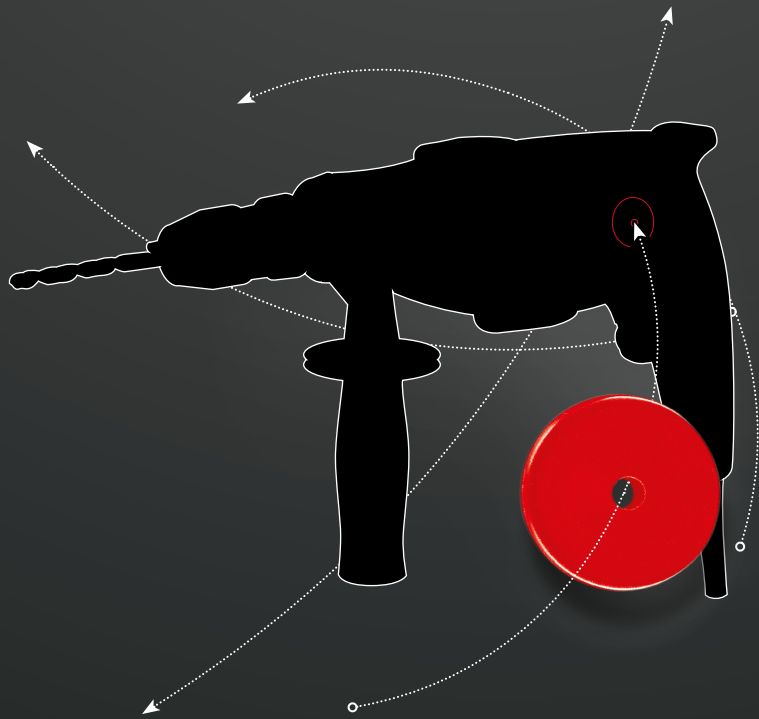


AAN PT 1



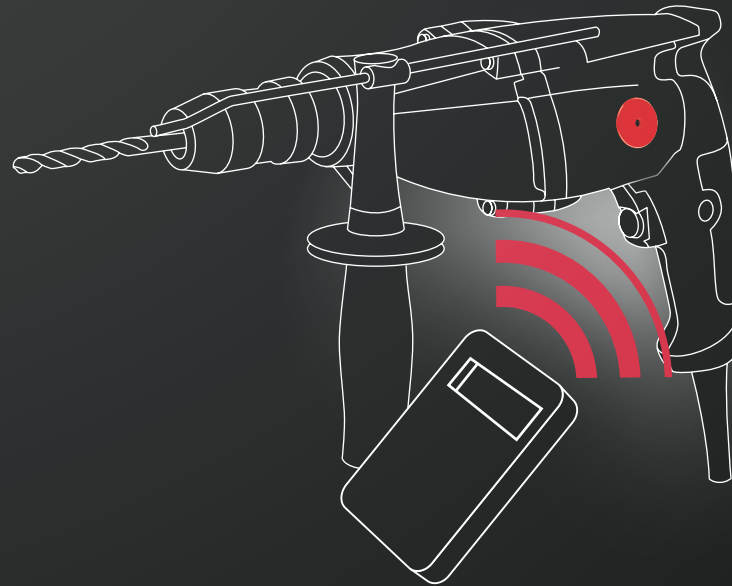


The RFID readers are compatible with the most common test devices such as B. from Gossen Metrawatt Secutest, Fluke 6500, Benning ST750.



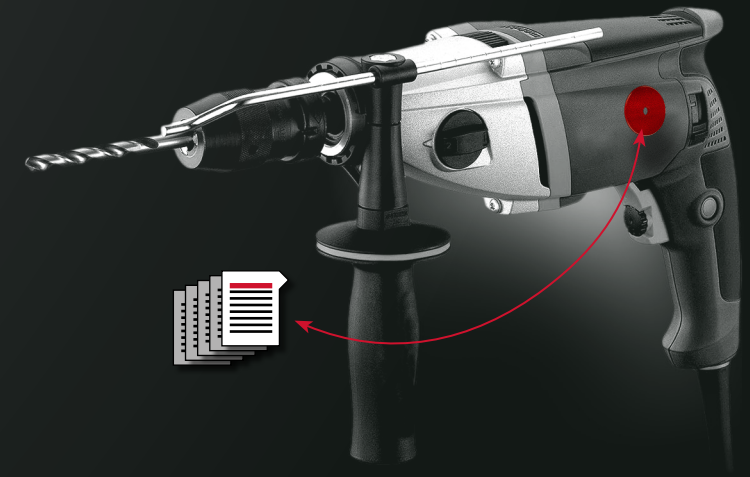
THE INSTALLATION

A transponder will be identified on or in your object attached. With a broad range of transponders, different mounting options are available.



CHECK AND DETECT

When the object is first recorded, the transponder is linked with the corresponding data and stored in your database. Through this assignment you can check the product status or load all relevant data quickly during recurring tests and clearly record the changes.



THE PROTOCOL

By comparing previous tests with the current exam, the solution ensures that none objects are forgotten to be tested.

SAVINGS EXAMPLE FOR A MEDIUM-SIZED COMPANY

(5,000 TEST UNITS IN THE COMPANY)

CURRENT ANNUAL COSTS:

- + Average time required per equipment item: approx. 6 min.
- + Material costs for testing: approx. € 0,10/item
- + Post-processing costs: approx. 35 %

APPROX. T € 27

ONE-OFF RFID COST: LABELLING & DATA ENTRY:

- + Average time required per equipment item: approx. 2 min.
- + Material costs for testing: approx. € 1,70/item
- + Post-processing costs: approx. 15 %
- + Software to read equipment data

APPROX. T € 17

ANNUAL COSTS AFTER RFID LABELLING:

- + Average time required per equipment item: approx. 4 min.
- + Material costs for testing: approx. € 0,10/item
- + Post-processing costs: approx. 15 %

APPROX. T € 15

ANNUAL SAVINGS AFTER RFID LABELLING:

APPROX. T € 12

AMORTISATION PERIOD:

APPROX. 1,4 YEARS

With our software tool, we can create a plan for you based on your key figures.
This covers: number of test items / hourly rate for electricians / postprocessing time / transponder / RFID reader / software / other material costs

We can offer you the option of having tailor-made products designed entirely according to your ideas and technical requirements. In this way, you benefit from our many years of experience in the development of RFID components. The process used is simple and efficient. As we develop and produce both transponders and readers, we are able to offer complete hardware solutions to meet your individual needs.



THE FUTURE IS IN ULM, HERE AND NOW.

You too want to create new realities,
then come and visit us
and experience fascinating insights
into the world of RFID.

AEG Identifikationssysteme GmbH
Hörvelsinger Weg 47, D-89081 Ulm
P: +49 (0) 731 140088-0
E-Mail: info@aegid.de